



# Polymer Insulators – Tie Top

## Tie Top Pin Style

### ANSI Class

55-3, 55-4, 55-5, 55-6, 55-7, 56-1



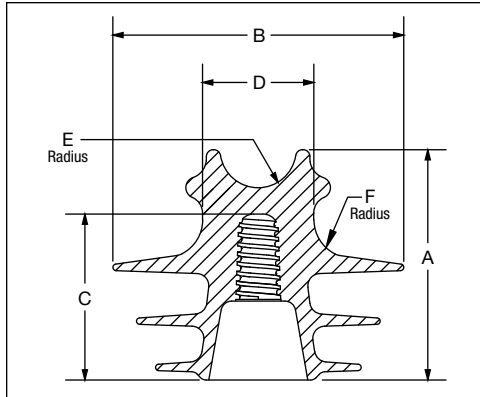
Catalog Number	ANSI Class*	Application	Mounting Pin Diameter	Approx. Unit Weight Lbs.	Carton Quantity	Carton Weight
<b>15kV</b>						
IP-15-C	55-3	C Neck Tie Top <b>RUS Accepted</b>	1"	0.9	18	24
IP-15-F	55-4	F Neck Tie Top <b>RUS Accepted</b>	1"	1.2	18	22
<b>25kV</b>						
IP-25-F1	55-5	F Neck Tie Top	1"	1.3	18	35
IP-25-F2	55-5 <sup>†</sup>	F Neck Tie Top	1-3/8"	1.3	18	35.5
IP-25-J1	56-1 <sup>†</sup>	J Neck Tie Top	1"	2	18	37
<b>NEW!</b> <b>NEW!</b> IP-25-J2	56-1	J Neck Tie Top <b>RUS Accepted</b>	1-3/8"	1.96	18	36
<b>35kV</b>						
IP-35-F1	55-6 <sup>†</sup>	F Neck Tie Top	1"	2.8	12	37
IP-35-F2	55-7 <sup>†</sup>	F Neck Tie Top	1-3/8"	2.8	12	36
<b>NEW!</b> IP-35-J1	55-6	J Neck Tie Top	1"	2.42	12	33
<b>NEW!</b> IP-35-J2	55-7	J Neck Tie Top	1-3/8"	2.46	12	32

\*Nominal ANSI C29.5 or C29.6 Class designation - These ANSI specifications are for Wet Processed Porcelain

<sup>†</sup>Meets the electrical requirements of the ANSI Class designation but a physical characteristic differs from the specification

# Polymer Insulators – Tie Top

## Nominal Dimensions & PLP Formed Tie Applications



Insulator Type Catalog Number	Nominal Insulator Dimensions					
	IP-15-C	IP-15-F	IP-25-F 1/2	IP-25-J 1/2	IP-35-F 1/2	IP-35-J 1/2
A	5.0	5.3	5.7	6.7	7.5	7.5
B	5.5	5.5	6.1	7.0	7.5	7.5
C	3.75	3.75	4.35	5.0	5.5	5.5
D	2.25	2.875	2.875	3.5	2.875	3.5
E (Radius)	0.75	1.0	1.0	1.0	1.0	1.0
F (Radius)	0.65	0.65	0.813	1.0	0.813	1.0
Number of Skirts	3	4	3	3	4	4
Maximum Conductor O.D. Top Groove	1.5"	2"	2"	2"	2"	2"
Maximum Conductor O.D. Side Groove	1.30"	1.30"	1.625"	2"	2"	2"

PLP Tie	Maximum Conductor Outer Diameter (in) with factory formed ties*					
Distribution Tie	1.25	1.75	1.75	1.75	1.75	1.75
WRAPLOCK® Tie	1.25	1.75	1.75	1.75	1.75	1.75
EZ-WRAP® Twin Tie	1.25	1.75	1.75	1.75	1.75	1.75
Double Support Tie	1.25	1.75	1.75	1.75	1.75	1.75
Side Tie	1.05	1.05	1.375	1.75	1.375	1.75
EZ-WRAP® Spool Tie	1.05	1.05	1.375	1.75	1.375	1.75
Double Side Tie	1.05	1.05	1.375	1.75	1.375	1.75
Jacketed Conductor Top Tie	1.5	2	2	2	2	2
Jacketed Conductor Side Tie	1.3	1.3	1.625	2	1.625	2